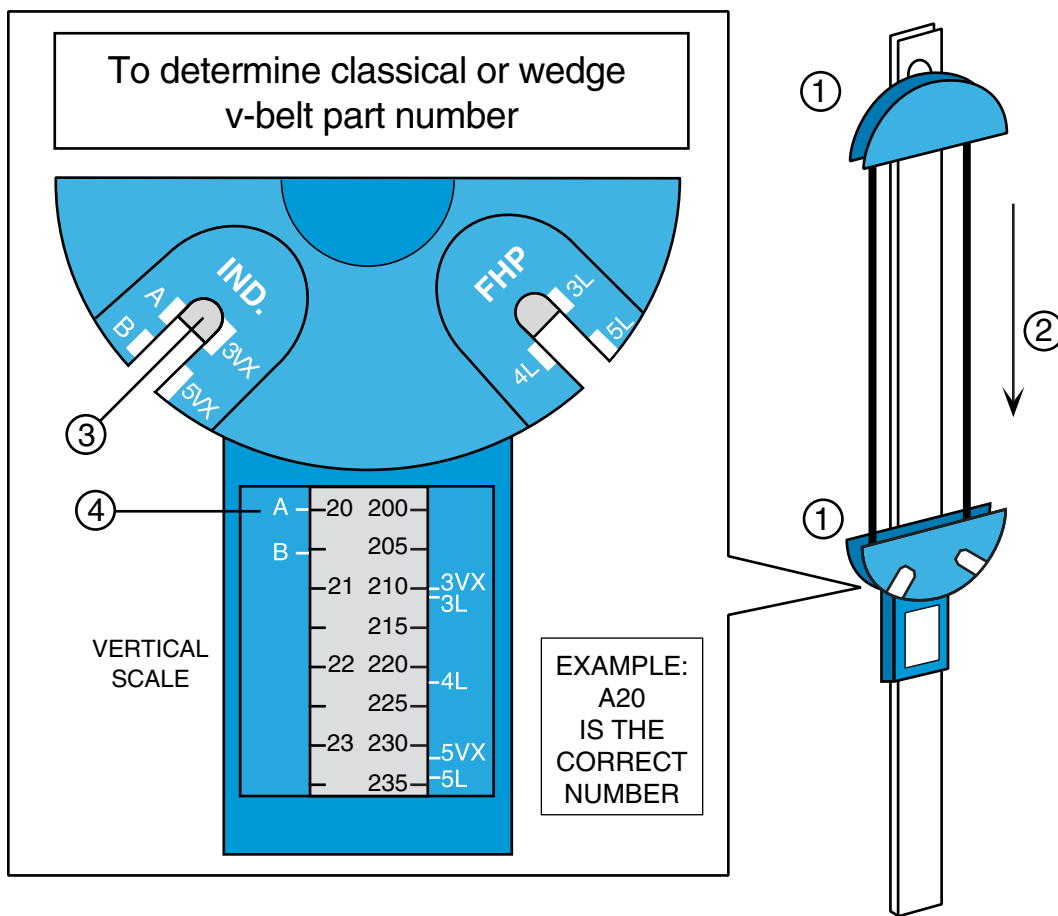


BELT-FINDER™

Easily find the exact Timken replacement belt with the Belt-Finder tool. A quick check shows the top width and length of the corresponding Super Power-Wedge and Power-Wedge Cog-Belt (3V, 3VX, 5V, 5VX cross sections), Super Blue Ribbon, Super II, and Gold-Ribbon Cog-Belt (A, AX, B, BX cross sections) and Durapower II FHP v-belts (3L, 4L, 5L cross sections). The Belt-Finder measures belts up to 100 inches.

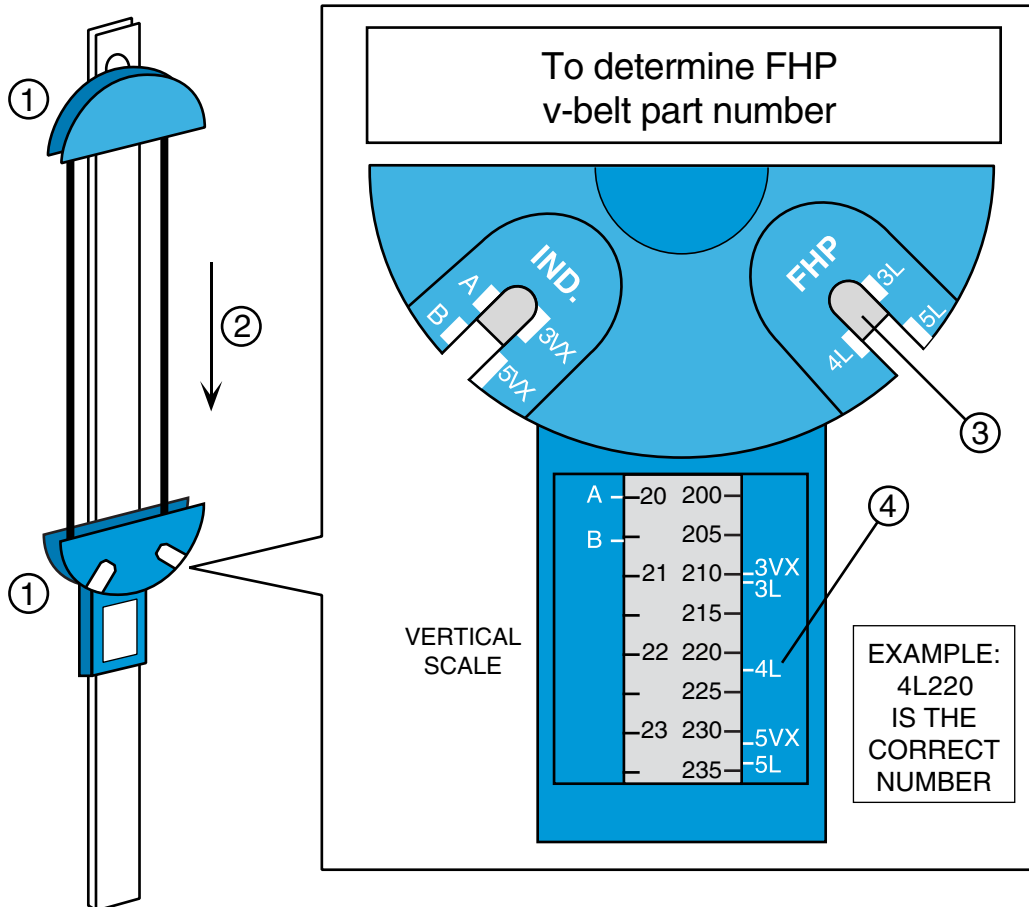


1. Place belt over fixed head and movable head.
2. Pull down on movable head until belt is taut.
3. Observe the back edge of belt as it shows in the LEFT gauging slots. The edge of belt will fall within A, B, 3VX, or 5VX.
4. Check this number against the number on the vertical scale of the movable head.

The number on the vertical scale will be in approximate alignment with the proper belt number located in the aluminum scale.

BELT-FINDER™

How to use the Belt-Finder on FHP v-belts



1. Place belt over fixed head and movable head.
2. Pull down on movable head until belt is taut.
3. Observe the back edge of belt as it shows in the RIGHT gauging slots. The edge of belt will fall within 3L, 4L, or 5L.
4. Check this number against the number on the vertical scale of the movable head.

The number on the vertical scale will be in approximate alignment with the proper belt number located in the aluminum scale.